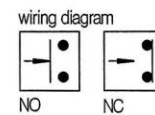
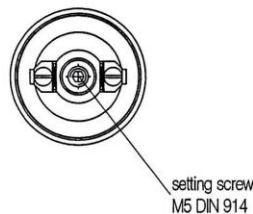
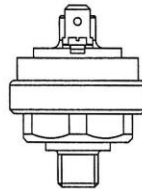
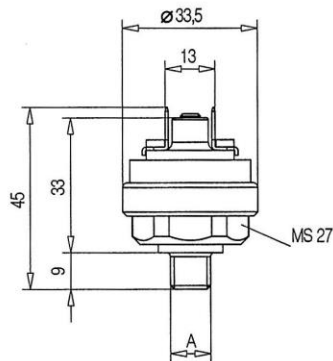


NO or NC


TECHNICAL DATES

order no.	DS 360+DS 361
pressure setting range	0,2 - 1,5 bar
working pressure max.	2 bar
bursting pressure	4 bar
design	spring safety membranes
diaphragm	NBR, special design FKM, CR, EPDM
manner of fastening	male thread
fitting thread >A<	M10 x 1, other thread types on demand
mounting position	any
ambient temperature	-25°C bis + 85°C, higher temperatures on demand
medium	air, hydraulic oil, oil emulsions, water, others on demand
adjustability	by factory
switch back difference	5%
mechanical life	10 ⁶
material	AL, special design brass or VA
weight	30 g
switching element	silver-plated contacts / special gold-plated contacts
reference voltage	42 V
reference frequency	not over 100 Hz
switching frequency max.	100/min.
maximum load	1 A
electrical connection	tab 2 x 6,3 x 0,8
protective system	IP00
breaking capacity	100 VA
for inductively loaded DC circuits e. g. for magnets, spark extinguishers have to be provided	

Accessories

Art. No.	Type No.	Description
129881	DS 50	Protective cap for pressure switch, low pressure